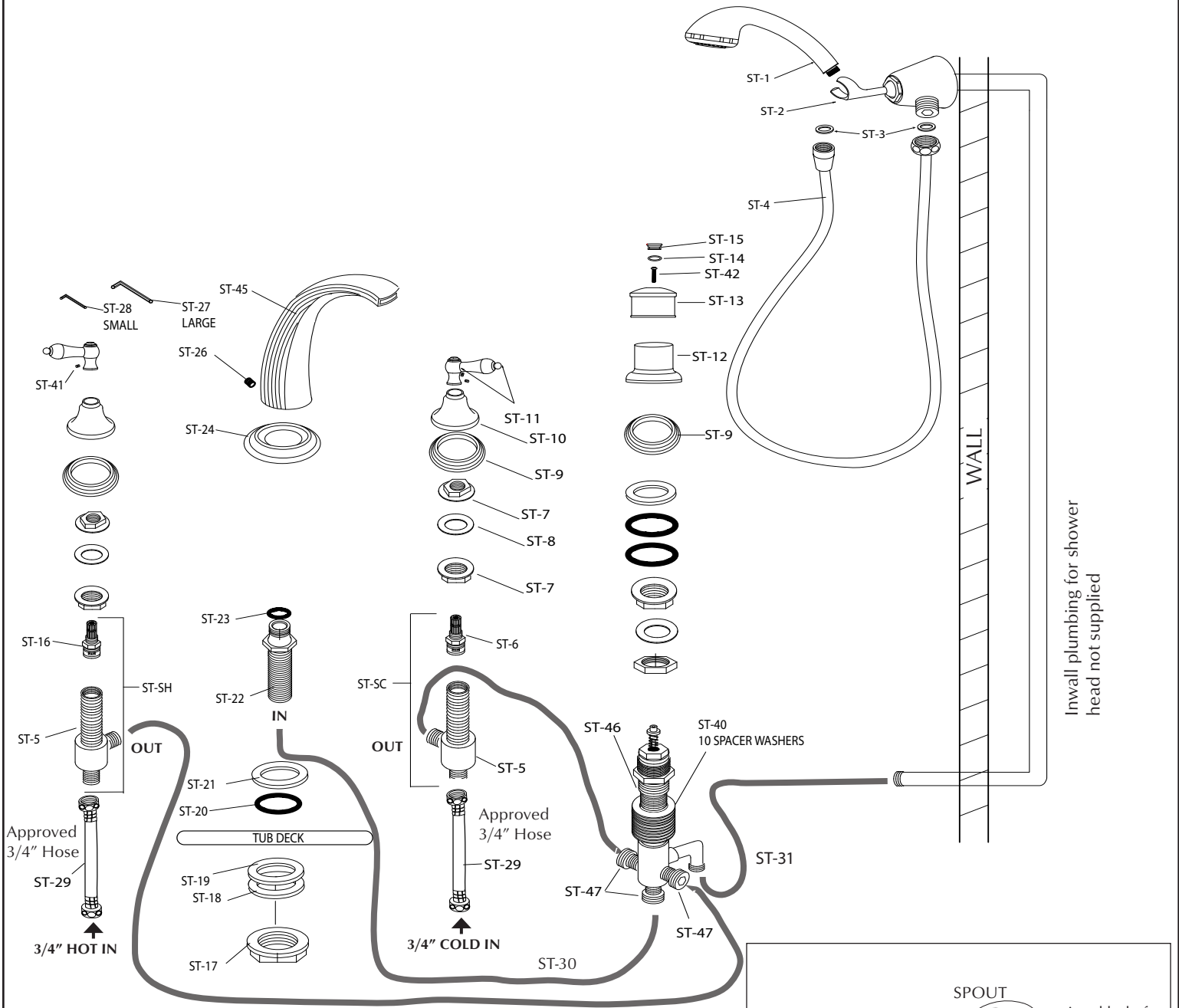
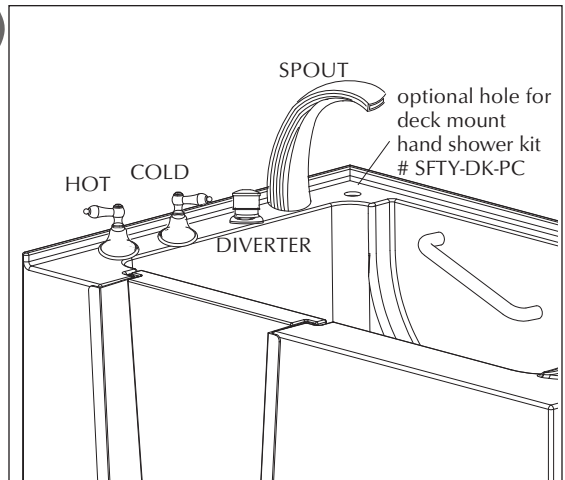


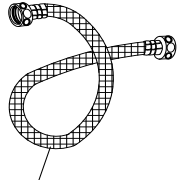
Safety Tub Faucet Instructions Model SFTY-TB-PC

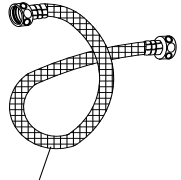
ST11

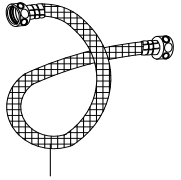


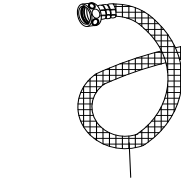
Inwall plumbing for shower head not supplied



- 

ST-43 (QTY 1)
3/4" x 20" x 3/4"
 - 

ST-31 (QTY1)
1/2" x 12" x 1/2"
 - 

ST-30 (QTY 2)
3/4" x 30" x 3/4"
 - 

ST-29 APPROVED (QTY 2)
3/4" x 20" x 3/4"
- Supply Lines Supplied In Clear Plastic Bags



for more information call

888.560.5222 FAX 888.560.8727 Monday - Sunday 8:00am to 6:00pm EST USA

ST11

Safety Tub Faucet Instructions Model SFTY-TB-PC

ST11

Warranty

Giagni Collection products manufactured for Safety Tubs LLC have a limited warranty period from one year of the original purchase date. The hot and cold ceramic disk cartridges have a limited warranty for ten years. The limited warranty applies to defects in workmanship and finish only. This warranty does not apply to damages resulting from shipping, misuse, tampering, abuse, or ordinary wear and tear. Warranty for finish is void if proper care is not demonstrated. All Giagni products should be cleaned using mild soap and water. In the result that any part should fail, it will be replaced at no charge when the original is returned for factory inspection. Labor is not included.

This exclusive warranty is limited to defective replacement parts only.

Damage and Missing Part Claims

All Giagni products are carefully inspected for contents and defects prior to shipping. Customers should inspect all items immediately upon receipt. Any claim for a damaged or missing part must be made in writing within ten days of the product purchase.

LIMITATIONS

THE ABOVE WARRANTY IS IN LIEU OF ALL OTHER WARRANTIES AND SELLER DISCLAIMS ALL OTHER WARRANTIES, WHETHER ORAL OR WRITTEN, EXPRESS OR IMPLIED, INCLUDING ANY WARRANTY OF MERCHANTABILITY OR FITNESS FOR A PARTICULAR PURPOSE. ANY IMPLIED WARRANTY, INCLUDING ANY WARRANTY OF MERCHANTABILITY OR FITNESS FOR A PARTICULAR PURPOSE, WHICH MAY NOT BE DISCLAIMED OR SUPPLANTED AS PROVIDED. THE WARRANTY SHALL BE LIMITED TO THE ONE YEAR PERIOD OF THE EXPRESS WARRANTY ABOVE. NO OTHER REPRESENTATION OR CLAIM OF ANY NATURE BY ANY PERSON SHALL BE BINDING UPON SELLER OR MODIFY THE TERMS OF THE ABOVE WARRANTY AND DISCLAIMER.

IN NO EVENT SHALL SELLER BE LIABLE FOR SPECIAL, INCIDENTAL, CONSEQUENTIAL OR OTHER DAMAGES RESULTING FROM THE POSSESSION OR USE OF THIS PRODUCT, INCLUDING WITHOUT LIMITATION DAMAGE TO PROPERTY AND, TO THE EXTENT PERMITTED BY LAW, PERSONAL INJURY, EVEN IF SELLER KNEW OR SHOULD HAVE KNOWN OF THE POSSIBILITY OF SUCH DAMAGES.

Some states do not allow limitations on how long an implied warranty lasts and/or the exclusion or limitation of damages, in which case the above limitations and/or exclusions may not apply to you. You may also have other specific legal rights which vary from state to state and countries outside the US.

This Roman Tub Faucet is Manufactured
For **Safety Tubs LLC**
by



for more information call

ST11

888.560.5222 FAX 888.560.8727 Monday - Sunday 8:00am to 6:00pm EST USA